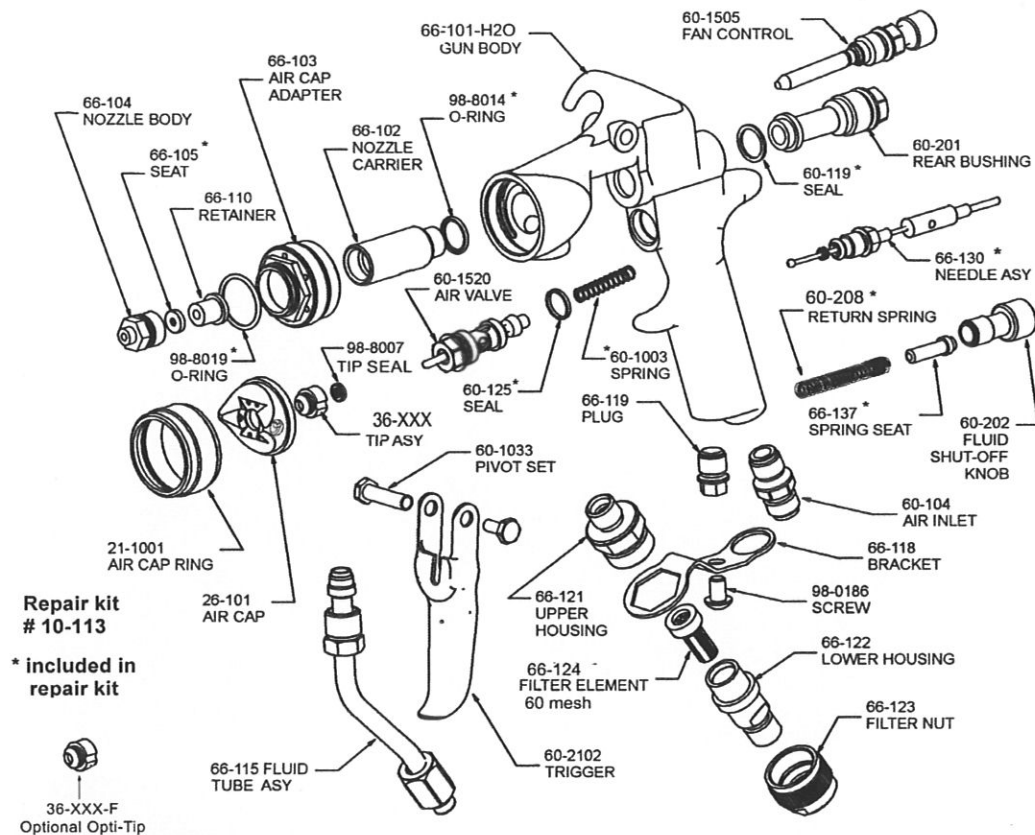
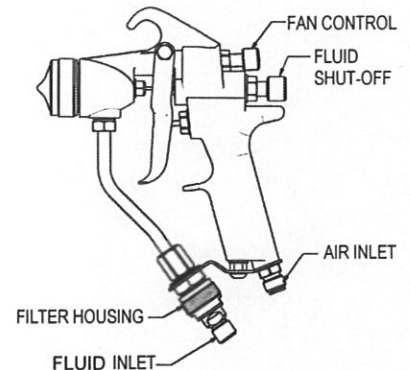


Operation and maintenance for *Cougar* H₂O spray gun



OPERATION

1. Connect air supply hose at handle of gun.
2. Connect hose from pump to gun fluid inlet.
3. The fluid shut-off knob locks the trigger and prevents gun operation when turned clockwise as far as possible.
4. Maximum pattern width is determined by tip selection. Turning the fan control knob counter clockwise will narrow the fan. Pattern is maximum when fan control knob is completely closed.
5. For HVLP compliance, do not exceed 15 psi air pressure at gun handle.



MAINTENANCE

NOTE: Complete gun disassembly is not recommended for normal cleaning and maintenance

It is recommend that repair kit #10-113 be on hand before starting gun repairs.

Replacing needle assembly

1. Remove trigger.
2. Remove fluid shut-off knob by turning counter clockwise. Remove return spring and spring seat.
3. Using a 5/8" open end wrench or socket, remove rear bushing. Don't lose gasket, it can be reused.
4. Using a 3/8" open end wrench remove needle seal packing nut. The needle assembly can be removed thru back of gun.
5. When replacing spring seat, the long end goes inside spring for operating pressures below 1000 psi. For operating pressures above 1000 psi short end of spring seat goes into spring.

Replacing gun seat

1. Remove air cap and fluid tip. Using a 1/2" socket, remove fluid nozzle body
2. Using a 3/32" rod or the end of the needle assembly push the seat and seat retainer out of nozzle body.

Replacing gun filter

1. Using a 3/4" open end wrench, remove filter retainer nut and separate upper and lower filter housings exposing the filter. It is not necessary to disconnect fluid hose to change filter.

Note: Gun is equipped with a 100 mesh filter. 60 mesh filters are also available.