



**CONVENTIONAL AIR CAP AND FLUID NOZZLE CHART**

MODEL NO.	PRESS / SIPHON	AIR CAP	FLUID TIP RANGE	FAN CONTROL	SCFM	AIR CAP RING	AVAILABLE FLUID NOZZLES	NEEDLES / marking on needle	
TG	Siphon	21-2166	0.6 - 1.8	60-1317	5	Included		40-2807 (2807)	
		21-2266	0.6 - 1.8		12		31-0606 0.6mm (.022")		
		21-2266T	0.6 - 1.8		12		31-0607 0.7mm (.028")		
		21-2366	0.6 - 1.8		12		31-0610 1.0mm (.040")		
		21-2466	0.6 - 1.8		15		31-0612 1.2mm (.046")		
	Pressure	21-2163	0.6 - 1.8		8		31-0613 1.3mm (.052")	40-2810 (2810)	
		21-2263	0.6 - 1.8		14		31-0615 1.5mm (.059")		
		21-2266-3	0.6 - 1.8		16.2		31-0618 1.8mm (.070")		40-2815 (2815)
		21-2266-3T	0.6 - 1.8		16.2				

Actual fluid nozzle and air cap combinations are determined by application (see application chart page 4)

\*Gun inlet pressures may vary as required by application

# Operation and Maintenance Instructions for *Tomahawk* Spray Guns

## Operation

1. Connect air supply hose at handle of gun.
2. Connect a pressurized fluid supply to the gun fluid inlet.
3. Fluid flow can be controlled using the fluid control knob, this restricts flow by limiting needle travel. It is best to control fluid flow by proper selection of fluid orifice size and use the fluid control knob to “fine tune flow rate”.
4. Fan width can be adjusted using the fan control knob. Turning the knob clockwise narrows the fan.

## Maintenance

**IMPORTANT!** Routine cleaning and maintenance is essential to insure proper gun operation.

Several states prohibit spraying solvent into the atmosphere and require the use of covered gun cleaner.

1. If a gun cleaner is being used, connect and clean the gun in the gun cleaner according to the manufactures instructions.
2. If a gun cleaner is not being used:  
Remove air cap and clean separately using clean solvent.  
For pressure setups, connect a pressurized solvent supply to the fluid inlet, trigger the gun allowing solvent to flow thru the gun until clean.

**NOTE: Gun head disassembly is not recommended for normal cleaning and maintenance.  
Not recommended to soak entire spray gun in solvent.**

## Gun head disassembly and reassembly instructions:

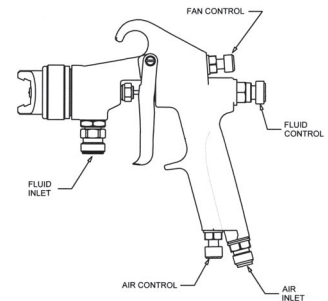
Have repair kit # 10-140 available before gun disassembly.

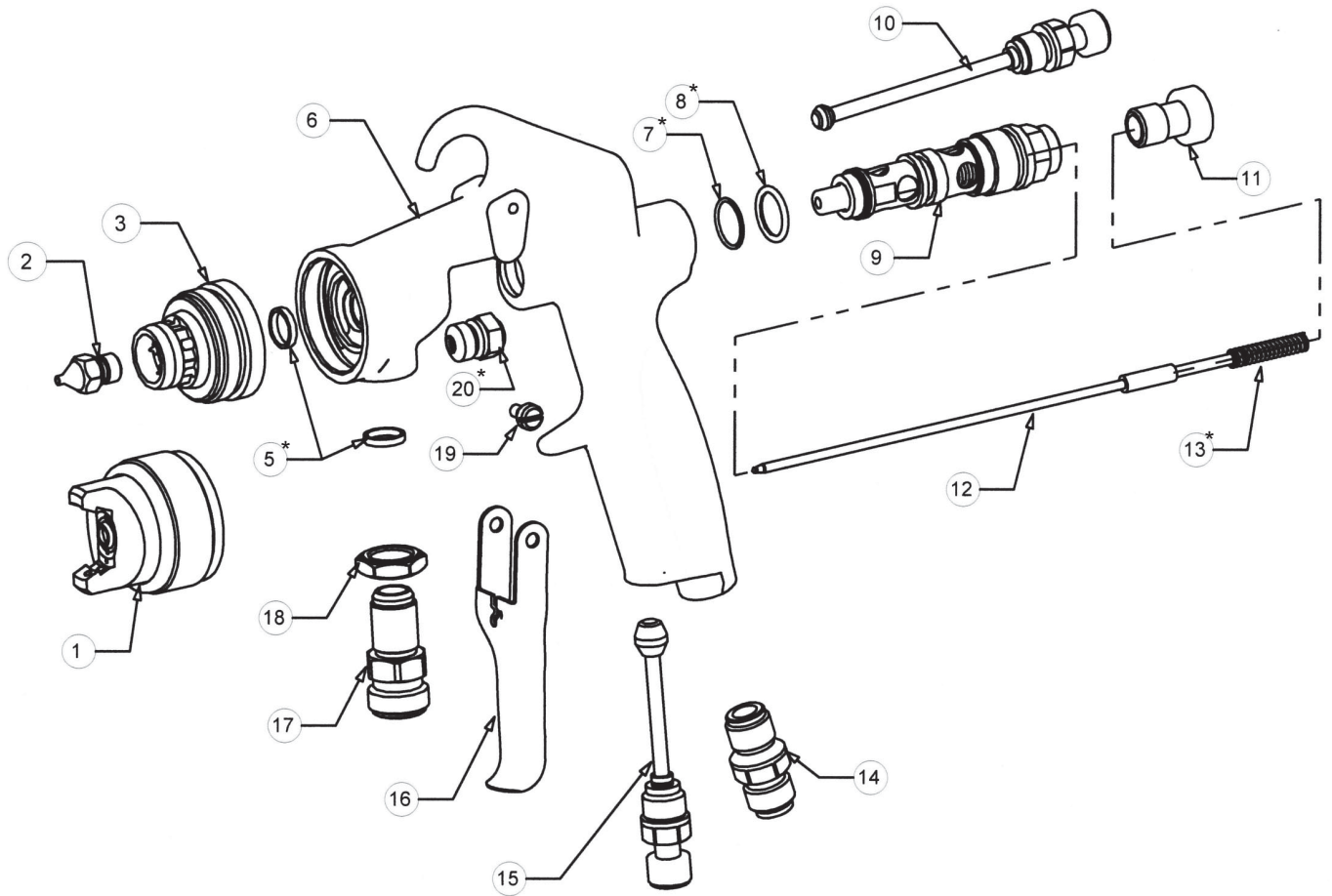
### Disassembly

1. Remove the trigger by removing both screws (19).
2. Remove fluid control knob (11).
3. Remove needle return spring (13) and needle (12).
4. Remove air valve assembly (9) using a 9/16” wrench.
5. Using a 7/16” wrench remove the needle seal cartridge (20).
6. Using a 13 mm wrench remove the side port control (10) and air control (15).
7. Using a 11/16” wrench loosen locknut (18), using a 5/8” wrench remove fluid inlet (17).
8. Remove air cap (1), remove fluid tip (2) using a 3/8” socket.
9. Using a 1” wrench remove head insert (3).

### Reassembly

1. Install a new o-ring (7 and 8) on air valve assembly, lightly lubricate o-rings with vasoline and reinstall air valve (9) into the gun body (6).
2. Install a new seal (5) in gun body (6). Reinstall head insert into gun body and tighten. Reinstall fluid tip (2) and tighten.
3. Install new seal (5) in gun body. Reinstall and tighten fluid inlet (17). Tighten locknut (18) after fluid inlet has been tightened.
4. Remove the shipping pin from a new needle seal cartridge (20). Install new needle seal cartridge (20).
5. Reinstall side port control (10) and air control (15).
6. Reinstall needle (12), needle return spring (13) and fluid control knob (11).
7. Reinstall air cap (1).





ITEM NO.	PART NO.	DESCRIPTION	ITEM NO.	PART NO.	DESCRIPTION
1	See Air Cap Chart	Air Cap**	12	See Air Cap Chart	Fluid Needle**
2	See Air Cap Chart	Fluid Nozzle Tip**	13	60-211	Needle Return Spring*
3	60-15C	Head Insert	14	60-104	Air Inlet Fitting
5	60-137	O-Ring*	15	60-1319	Air Control
6	60-1301-GL	Gun Handle	16	60-2111	Trigger
7	98-5125	O-Ring*	17	60-126	Fluid Inlet
8	98-5225	O-Ring*	18	60-128	Locknut
9	60-1320	Air Valve Assembly	19	60-1315	Trigger Pivot Set (2)
10	60-1317	Side Port Control	20	60-1329	Needle Seal Cartridge*
11	60-1312	Fluid Control Knob			

\*\*See air cap selection chart on page 1

\*Indicates part included in repair kit # 10-140

# FLUID NOZZLE / AIR CAP SELECTION CHARTS

## TOMAHAWK Series - Pressure / Siphon Feed Guns

### TG CONVENTIONAL SPRAY GUN

MATERIAL TYPE	FLUID ORIFICE x AIR CAP	MAXIMUM PATTERN WIDTH	PRESS. / SIPHON
<b>Very Thin</b> less than 16 sec. Zahn #2 inks , dyes, solvents, stains	0.6, 0.7 mm x 2163	8	P
	0.6, 0.7 mm x 2166	9	S
	0.6, 0.7 mm x 2266	12	S
<b>Thin</b> 16 to 20 sec. Zahn #2 lacquers, enamels, primers, sealers	0.6, 0.7, 1.0 mm x 2163	8	P
	0.6, 0.7, 1.0 mm x 2366	14	S
	0.6, 0.7, 1.0 mm x 2466	13	S
<b>Medium</b> 21 to 30 sec. Zahn #2 automotive base coat enamels, primers epoxies, urethanes automotive clear coat	1.2, 1.3, 1.5, 1.8 mm x 2263	14	P
	1.2, 1.3, 1.5, 1.8 mm x 2266	10	S
	1.2, 1.3, 1.5, 1.8 mm x 2266-3	15	P/S
	1.2, 1.3, 1.5, 1.8 mm x 2466	13	S
<b>Heavy</b> over 30 sec. Zahn #2 heavy body primers high solid enamels high solid automotive coatings adhesives	1.5, 1.8mm x 2263	14	P
	1.5, 1.8mm x 2266-3	15	P/S
	1.5, 1.8mm x 2466	13	S